

# Locus

## Specifications



### Core

● 912.000.5

#### Main specifications

|                   |                     |
|-------------------|---------------------|
| Mounting          | Ceiling recessed    |
| Environment       | Indoor wet location |
| Light source type | Bulb                |
| Lamp category     | LED retrofit        |
| Lamp type         | PAR16               |
| Lamp holder       | GU10                |
| Number of bulbs   | 1                   |
| Max power         | 20W                 |

#### Electrical

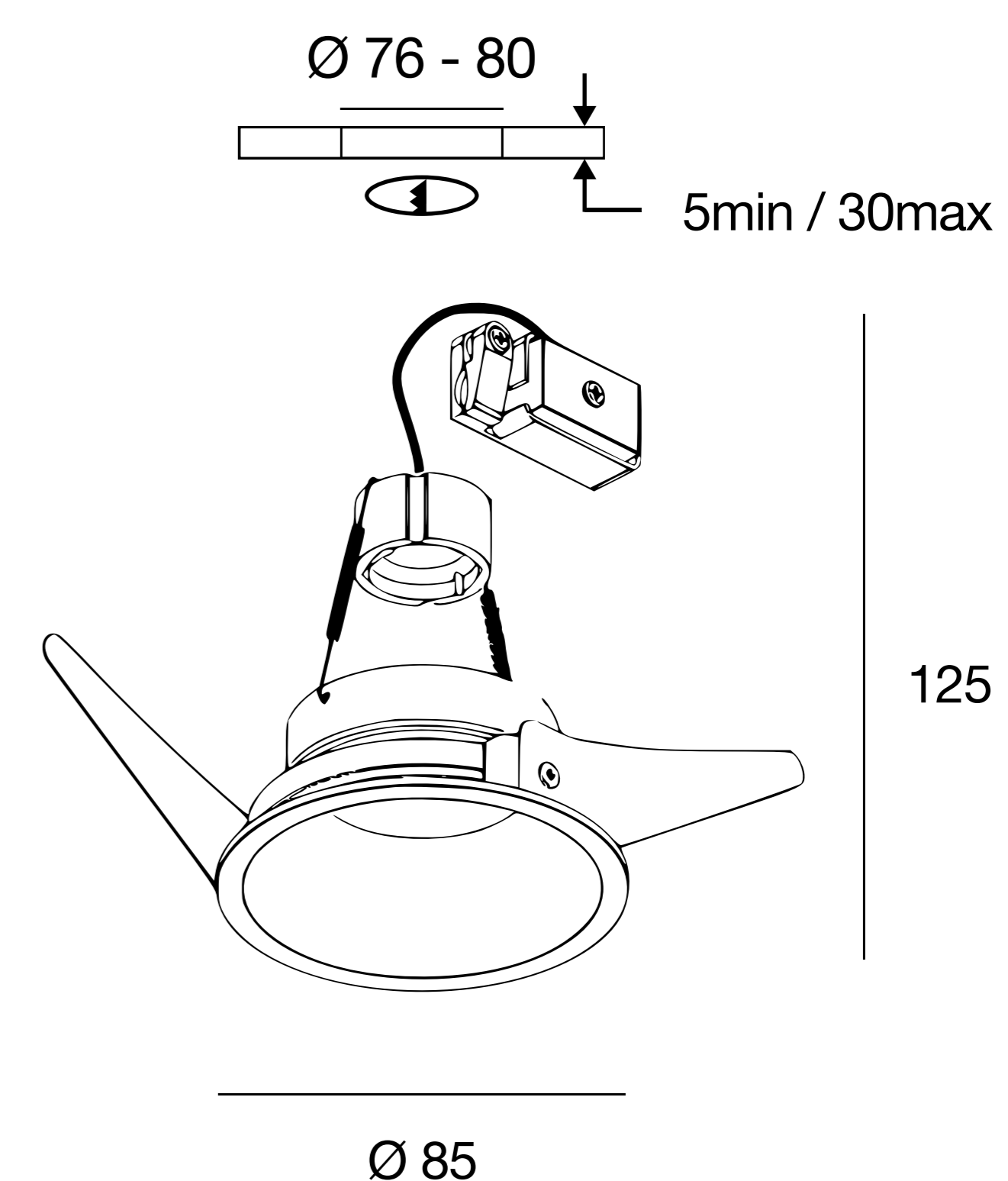
|                  |          |
|------------------|----------|
| Insulation class | II       |
| Frequency        | 50/60 Hz |
| Main voltage     | 230 Vac  |
| Forward voltage  | 230 V    |
| Emergency type   | No       |

#### Physical

|                |                  |
|----------------|------------------|
| Colour         | Black (RAL 9005) |
| Trim           | Yes              |
| Orientation    | Fixed            |
| Cutout size    | 76 - 80 mm       |
| Recessed depth | 90 mm            |
| Spot diameter  | 85 mm            |
| Net weight     | 0.12 kg          |
| IP grade       | IP44             |

#### Photometric

|                    |           |
|--------------------|-----------|
| Lighting type      | Direct    |
| Light distribution | Symmetric |

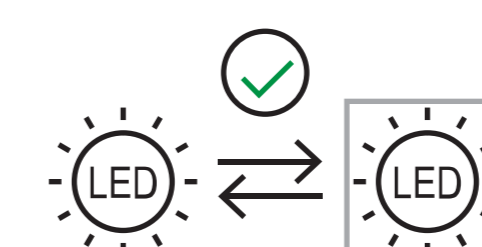


#### Download

Mounting instructions



#### Ecodesign and Energy Labelling



Replaceable (LED only) light source by an end user

